
[J. Adv. Res. Fluid Mech. Therm. Sc.] Submission Acknowledgement

2 messages

Dr. Nor Azwadi Che Sidik <azwadi@akademiabaru.com>
To: I Gusti Agung Bagus Wirajati1 <igabwirajati@pnb.ac.id>

Sun, Jun 4, 2023 at 10:44 AM

Hello,

I Dewa Made Cipta Santosa has submitted the manuscript, "Static Analysis of Low Temperature Waste Heat Driven Three-bed Adsorption Chillers Potential for Building Cooling Application" to Journal of Advanced Research in Fluid Mechanics and Thermal Sciences.

If you have any questions, please contact me. Thank you for considering this journal as a venue for your work.

Dr. Nor Azwadi Che Sidik

[Journal of Advanced Research in Fluid Mechanics and Thermal Sciences](#)

I Gusti Agung Bagus Wirajati <igabwirajati@pnb.ac.id>
To: "Dr. Nor Azwadi Che Sidik" <azwadi@akademiabaru.com>

Tue, Jun 13, 2023 at 8:06 AM

Thank you very much for your kind information.

[Quoted text hidden]

[J. Adv. Res. Fluid Mech. Therm. Sc.] Editor Decision

2 messages

Nor Azwadi <azwadi@akademiabaru.com>

Mon, Nov 6, 2023 at 10:06 PM

To: I Dewa Made Cipta Santosa <idmcsantosa@pnb.ac.id>, I Gusti Agung Bagus Wirajati1 <igabwirajati@pnb.ac.id>

I Dewa Made Cipta Santosa, I Gusti Agung Bagus Wirajati1:

We have reached a decision regarding your submission to Journal of Advanced Research in Fluid Mechanics and Thermal Sciences, "Static Analysis of Low Temperature Waste Heat Driven Three-bed Adsorption Chillers Potential for Building Cooling Application".

Our decision is: Revisions Required

Please revise your manuscript as requested in the following comments **AND PLEASE FILL IN THE "RESPONSE TO REVIEWERS" FORM**. Please send the revised manuscript together with the form

WITHIN TWO WEEKS.

Please send the revised manuscript in **Microsoft word file BY FOLLOWING The Journal's format.**

Editorial Comments:

If possible, please cite few articles from

<http://www.akademiabaru.com/submit/index.php/araset>

<http://www.akademiabaru.com/submit/index.php/cfdl>

<http://www.akademiabaru.com/submit/index.php/armne>

<http://www.akademiabaru.com/submit/index.php/arnht>

<http://www.akademiabaru.com/submit/index.php/arefmht>

<http://www.akademiabaru.com/submit/index.php/aram>

Collaboration with intl co-author is recommended.

Reviewers' Comments:

Reviewer V:

Please find the attached Review file.

Recommendation: Revisions Required

Journal of Advanced Research in Fluid Mechanics and Thermal Sciences

 **V-Review.pdf**
70K

I Dewa Made Cipta Santosa <idmcsantosa@pnb.ac.id>
To: Nor Azwadi <azwadi@akademiabaru.com>
Cc: I Gusti Agung Bagus Wirajati1 <igabwirajati@pnb.ac.id>

Wed, Nov 29, 2023 at 12:38 PM

Dear Dr. Nor Azwadi,

We are pleased that our manuscript can review very well in the “Journal of Advanced Research in Fluid Mechanics and Thermal Sciences”. Please find our manuscript revision depending on editorial and reviewer comments at the attachment.

We are looking forward for your further information. Many thanks

Best Regards,

I Dewa Made Cipta Santosa-

[Quoted text hidden]

--


Politeknik Negeri Bali (*Bali State Polytechnic*)

Jalan Kampus Bukit Jimbaran, Kuta Selatan, Kabupaten Badung, Bali 80464

Email : idmcsantosa@pnb.ac.id

Mobile : +6289618262800

2 attachments

 **Response To Reviewer Form_Satic Analysis-Dewa Kejat.docx**
45K

 **Static Analysis_Wirajati_Dewa_ARFMTS_revision.docx**
1760K

[J. Adv. Res. Fluid Mech. Therm. Sc.] Editor Decision

1 message

Nor Azwadi <azwadi@akademiabaru.com>

Sun, Dec 3, 2023 at 6:14 PM

To: I Dewa Made Cipta Santosa <idmcsantosa@pnb.ac.id>, I Gusti Agung Bagus Wirajati1 <igabwirajati@pnb.ac.id>

I Dewa Made Cipta Santosa, I Gusti Agung Bagus Wirajati1:

We have reached a decision regarding your submission to Journal of Advanced Research in Fluid Mechanics and Thermal Sciences, "Static Analysis of Low Temperature Waste Heat Driven Three-bed Adsorption Chillers Potential for Building Cooling Application".

Our decision is to: Accept Submission

Please make payment of Article Processing Charge of USD400 (International Corresponding Author) or RM1500 (Malaysian Corresponding Author). The payment can be accomplished through

1) Bank in, Bank transfer or Telegraphic transfer to the following details:

Beneficiary: SEMARAK ILMU SDN BHD

Bank's Name: MAYBANK

Account number: 562263601782

Swift code: **MBBEMYKL**

Full Address: 7 & 9, Jalan 9/9C, Section 9, 43650 Bangi, Selangor, Malaysia

Beneficiary Address: No 22, Jalan Puteri 5A/3, Bandar Puteri Bangi, 43000 Kajang, Selangor, Malaysia

OR

2) Payment by ConfBay Online Payment Gateway (Credit card/paypal, etc):

Register and upload the accepted paper here

<https://submit.confbay.com/conf/arfmts>

You will receive an invoice and guide for making online payment

Please email the proof of payment to finance@akademiabaru.com before we can begin copyediting of the accepted article.

Thank you

Truly

Editor-in-chief, Journal of Advanced Research in Fluid Mechanics and Thermal Sciences

Fwd: Proof of Payment ARFMTS-2827

1 message

I Dewa Made Cipta Santosa <idmcsantosa@pnb.ac.id>
To: I Gusti Agung Bagus Wirajati1 <igabwirajati@pnb.ac.id>

Thu, Dec 14, 2023 at 2:59 PM

----- Forwarded message -----

From: <finance@akademiabaru.com>

Date: Thu, 14 Dec 2023, 13:20

Subject: Re: Proof of Payment ARFMTS-2827

To: I Dewa Made Cipta Santosa <idmcsantosa@pnb.ac.id>Cc: Nor Azwadi <azwadi@akademiabaru.com>, ARFMTS <arfmts@semarakilmu.com.my>

Dear Author,

Thanks for your payment. Please find attach is the acknowledgement receipt for your reference.

The paper is now sent for copyediting and que for publication.

You will be notified again for final check of your manuscript before online publication.

Thank you.

Finance

On 2023-12-08 18:29, I Dewa Made Cipta Santosa wrote:

> Dear Sir/Madam,

> Please find the Proof of Payment in attachment , related to the Paper

> ID ARFMTS-554 . Thank you very much

>

> Regards,

> Dewa --

>

> Politeknik Negeri Bali (_Bali State Polytechnic_)


>

> Jalan Kampus Bukit Jimbaran, Kuta Selatan, Kabupaten Badung, Bali

> 80464

>

> Email : idmcsantosa@pnb.ac.id Mobile : +6289618262800

 **ARFMTS23-2827_I Dewa.pdf**
343K

[J. Adv. Res. Fluid Mech. Therm. Sc.] Editor Decision

1 message

Chief Technical Editor <journal2017arfmts@gmail.com>

Fri, Jan 19, 2024 at 9:47 AM

To: I Gusti Agung Bagus Wirajati <igabwirajati@pnb.ac.id>, I Dewa Made Cipta Santosa <idmcsantosa@pnb.ac.id>, Made Ery Arsana <eryarsana@pnb.ac.id>, Takahiko Miyazaki <miyazaki.takahiko.735@m.kyushu-u.ac.jp>

I Gusti Agung Bagus Wirajati, I Dewa Made Cipta Santosa, Made Ery Arsana, Takahiko Miyazaki:

The editing of your submission, "Static Analysis of Low Temperature Waste Heat Driven Three-bed Adsorption Chillers Potential for Building Cooling Application," is complete. We are now sending it to production. Kindly find the copyedited manuscript under the copyediting tab for your perusal.

Submission URL: https://semarakilmu.com.my/journals/index.php/fluid_mechanics_thermal_sciences/authorDashboard/submission/2827

Congratulations, your paper has been published!

4 messages

husna <nhusna5114@semarakilmu.com.my>

Tue, Jan 23, 2024 at 11:58 AM

To: igabwirajati@pnb.ac.id, idmcsantosa@pnb.ac.id, eryarsana@pnb.ac.id, miyazaki.takahiko.735@m.kyushu-u.ac.jp

Dear, I Gusti Agung Bagus Wirajati, I Dewa Made Cipta Santosa, Made Ery Arsana, & Takahiko Miyazaki.

Your work has now been published in [Journal of Advanced Research in Fluid Mechanics and Thermal Sciences Vol.112 No.2](#)

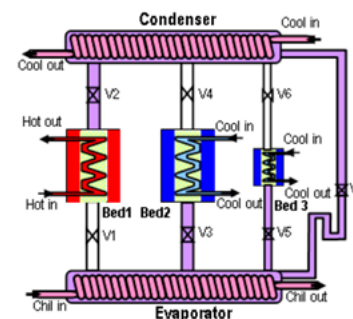


Fig. 1. Schematic diagram of three-bed adsorption chiller without mass recovery (Cycle A)

Static Analysis of Low Temperature Waste Heat Driven Three-bed Adsorption Chillers Potential for Building Cooling Application

It's the final version of your work and can be cited, downloaded and shared.

I Gusti Agung Bagus Wirajati, I Dewa Made Cipta Santosa, Made Ery Arsana, & Takahiko Miyazaki. (2023). Static Analysis of Low Temperature Waste Heat Driven Three-bed Adsorption Chillers Potential for Building Cooling Application. *Journal of Advanced Research in Fluid Mechanics and Thermal Sciences*, 112(2), 174–190. <https://doi.org/10.37934/arfmts.112.2.174190>

Promote your works to boost your citation count. You may consider the following techniques:

- Use social media. Provide links to your papers on social media (e.g., Facebook, Twitter, [Academia.edu](https://www.academia.edu), ResearchGate, Mendeley) and your university profile page.
- Talk to other researchers about your paper, and email copies of your paper to researchers who may be interested.
- Create a blog or a website dedicated to your research and share it.
- Cite your own past papers as appropriate to increase visibility of your published papers.

Thank you again for publishing with us. We wish you the best success with your research.

Kind regards

"SHARE YOUR KNOWLEDGE FOR A BETTER TOMORROW"

SEMARAK ILMU PUBLISHING

NO. 7, Jalan Puteri 3A/7,

Bandar Puteri Bangi, 43000 Kajang,

Selangor, MALAYSIA

JOIN OUR EVENTS

-3rd International Conference on Applied Science, Engineering, Advanced Technology, and Social Science, in Conjunction with Effective Article Writing Workshop for High Impact Journal Publication (3rd-EAW-ICASEAT2024)

Noble Resort Hotel, Melaka, Malaysia

6th February 2024

<https://submit.confbay.com/conf/3eaw2024>

-Semarak International Research Article Competition 2024 (SIRAC 2024)

DEADLINES:

Abstract Deadline: 31 January 2024

Abstract Acceptance Notification: 2 February 2024

Submission of full paper: 29 February 2024

Acceptance/Rejection Notification: 13 March 2024

Payment deadline: 21 March 2024

Announcement of results: 29 March 2024

<https://submit.confbay.com/conf/sirac2024>

-International Conference on Applied Science, Engineering, Advanced Technology, and Social Science in Conjunction with International Conference on ELINVO: Electronics, Informatics, and Vocational Education (ICASEAT-ELINVO2024)

Yogyakarta, Indonesia

10th September 2024

https://submit.confbay.com/conf/icaseat_elinvo2024

I Gusti Agung Bagus Wirajati <igabwirajati@pnb.ac.id>

Tue, Jan 23, 2024 at 5:57 PM

To: husna <nhusna5114@semarakilmu.com.my>

Dear Husna,

Thank you for your e-mail and I provide essential information regarding this issue.

There is an error in the name of the institution, especially for the fourth author (Takahiko Miyazaki) which is written Department of Aeronautics Engineering and Aviation, National Defense University of Malaysia, 57000 Kuala Lumpur, Malaysia.

This one should be replaced with **Department of Advanced Environmental Science and Engineering Kyushu University, 744 Motooka Nishi-ku Fukuoka 819-0395, Japan.**

Please change it and thank you very much for your attention.

Regards,

I Gusti Agung Bagus Wirajati
Politeknik Negeri Bali

[Quoted text hidden]

Fluid Mechanics Thermal Sciences <journal2017arfmts@gmail.com>

Wed, Jan 24, 2024 at 9:46 AM

To: husna <nhusna5114@semarakilmu.com.my>, igabwirajati@pnb.ac.id

Dear author,

Your article has been updated accordingly. Sorry for any inconvenience caused.

Thank you

----- Forwarded Message -----

Subject:Re: Congratulations, your paper has been published!

Date:Tue, 23 Jan 2024 18:57:25 +0800

From:I Gusti Agung Bagus Wirajati <igabwirajati@pnb.ac.id>

To:husna <nhusna5114@semarakilmu.com.my>

[Quoted text hidden]

I Gusti Agung Bagus Wirajati <igabwirajati@pnb.ac.id>

Wed, Jan 24, 2024 at 10:16 AM

To: Fluid Mechanics Thermal Sciences <journal2017arfmts@gmail.com>

Cc: husna <nhusna5114@semarakilmu.com.my>

No problem, thank you for the update.

[Quoted text hidden]